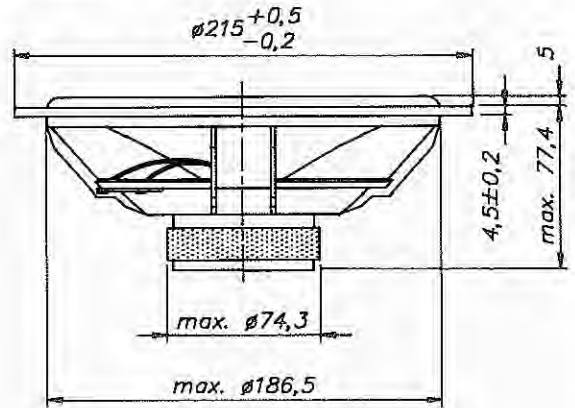


## 8" WOOFER

## M21WG-09-08

### SPECIAL FEATURES:

- MAGNESIUM BASKET
- SPECIAL PULP PAPER CONE
- SUITED FOR 2- AND 3-WAY SYSTEMS
- BLACK COATED CONE



NOMINAL IMPEDANCE	8 Ω
NOMINAL POWER (IEC 268-5)	50 W
MUSIC POWER (DIN 45.500)	70 W
FREQUENCY RANGE	38-4000 Hz
SENSITIVITY (1W, 1m)	90 dB
EFFECTIVE CONE AREA	231 cm <sup>2</sup>
VOICE COIL RESISTANCE	5,6 Ω
VOICE COIL INDUCTANCE	0,9 mH
OPERATING POWER	4 W
VOICE COIL DIAMETER	25 mm
VOICE COIL HEIGHT	12 mm
AIR GAP HEIGHT	6 mm
FREE AIR RESONANCE	38 Hz
MOVING MASS (incl. air)	16,5 g
FORCE FACTOR, B x l	5,2 Txm
MAGNET WEIGHT	(8,5 oz) 240 g
Qms	4,9
Qes	0,82
Qts	0,7
Vas	81 ltr

